

D

Chip Bead



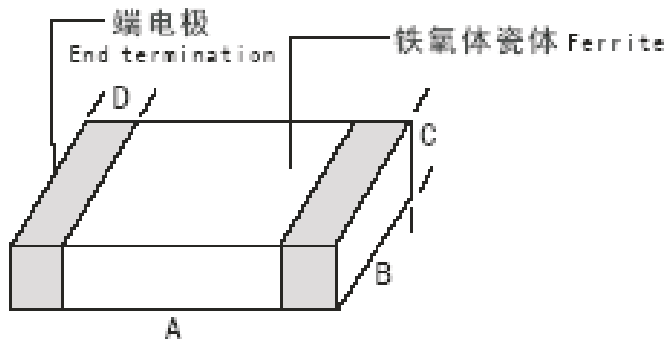
FEATURES

- Suit for SMT.
- Shape, dimension and electrical properties accord with EIA standard.
- Superior solderability and resistance to soldering heat.
- Ideal for Wave or reflow soldering.

特征

- 适合表面贴装。
- 形状、尺寸及电性能符合EIA标准。
- 具有良好的可焊性与抗热冲击性。
- 适合波峰焊与再流焊。

■ APPEARANCE AND DIMENSION (外观与尺寸)



Unit: mm

Symbol (代码)	A	B	C	D
0402	1.00 ± 0.15	0.50 ± 0.15	0.50 ± 0.15	0.25 ± 0.10
0603	1.60 ± 0.20	0.80 ± 0.20	0.80 ± 0.20	0.25 ± 0.20
0805	2.00 ± 0.20	1.25 ± 0.20	0.85 ± 0.20	0.50 ± 0.30
1206	3.20 ± 0.20	1.60 ± 0.20	1.00 ± 0.25	0.50 ± 0.30
1210	3.20 ± 0.20	2.50 ± 0.20	1.25 ± 0.20	0.50 ± 0.30
1808	4.50 ± 0.20	2.00 ± 0.20	1.60 ± 0.20	0.50 ± 0.30
1812	4.50 ± 0.20	3.20 ± 0.20	1.50 ± 0.20	0.50 ± 0.30

■ PART NUMBERING (型号命名方式)

- Product symbol (产品代码)

KBG
①

0603
②

V
③

121
④

A
⑤

- ① Product code (产品代码)

KBG: 普通型
KBW: 大电流型
KBY: 尖峰型
KBH: 低频高阻型

- ② Dimension (尺寸) Unit(单位): mm

Symbol (代码)	A	B	C	D
0402	1.00 ± 0.15	0.50 ± 0.15	0.50 ± 0.15	0.25 ± 0.10
0603	1.60 ± 0.20	0.80 ± 0.20	0.80 ± 0.20	0.25 ± 0.20
0805	2.00 ± 0.20	1.25 ± 0.20	0.85 ± 0.20	0.50 ± 0.30
1206	3.20 ± 0.20	1.60 ± 0.20	1.00 ± 0.25	0.50 ± 0.30
1210	3.20 ± 0.20	2.50 ± 0.20	1.25 ± 0.20	0.50 ± 0.30
1808	4.50 ± 0.20	2.00 ± 0.20	1.60 ± 0.20	0.50 ± 0.30
1812	4.50 ± 0.20	3.20 ± 0.20	1.50 ± 0.20	0.50 ± 0.30

- ③ Material Code (材料代码)

V: V料
U: U料
X: X料
J: J料

- ④ Impedance (阻抗(Ω))

Symbol	050	110	600	121	102
Impedance (\square)	5	11	60	120	1000

- ⑤ Packaging Style (包装方式)

T = Bulk (散装)
A = Tape Reel (编带盘装)

ELECTRICAL CHARACTERISTICS (电性能参数)

● KBG (叠层片式磁珠)

0402 Type

Part No.	At 100MHz Impedance (阻抗(Ω))	MAX DC Resistance (直流电阻(\square))	Max Rated Current (额定电流(mA))
KBG0402*050T	5	0.045	500
KBG0402*070T	7	0.045	500
KBG0402*110T	11	0.05	500
KBG0402*190T	19	0.05	300
KBG0402*260T	26	0.15	300
KBG0402*310T	31	0.20	300
KBG0402*360T	36	0.20	300
KBG0402*600T	60	0.35	200
KBG0402*800T	80	0.40	200
KBG0402*121T	120	0.50	150
KBG0402*151T	150	0.55	150
KBG0402*181T	180	0.60	150
KBG0402*221T	220	0.70	100
KBG0402*301T	300	0.80	100
KBG0402*501T	500	1.10	100
KBG0402*601T	600	1.30	100
KBG0402*801T	800	1.40	50
KBG0402*102T	1000	1.60	25
KBG0402*122T	1200	1.80	25
KBG0402*152T	1500	1.90	25

* Insert Material Code (* 处插入材料代码); Impedance Tolerance above all are $\pm 25\%$ except the specification (以上产品的阻抗误差均为 $\pm 25\%$, 除特殊说明外).

0603 Type

Part No.	At 100MHz Impedance (阻抗(Ω))	MAX DC Resistance (直流电阻(\square))	Max Rated Current (额定电流(mA))
KBG0603*050T	5	0.05	1000
KBG0603*090T	9	0.05	1000
KBG0603*110T	11	0.05	1000
KBG0603*190T	19	0.05	1000
KBG0603*260T	26	0.06	500
KBG0603*310T	31	0.06	500
KBG0603*600T	60	0.12	300
KBG0603*700T	70	0.12	300
KBG0603*800T	80	0.12	300
KBG0603*101T	100	0.20	200
KBG0603*121T	120	0.20	200
KBG0603*151T	150	0.20	200
KBG0603*221T	220	0.30	200
KBG0603*301T	300	0.35	150
KBG0603*501T	500	0.40	150
KBG0603*601T	600	0.45	100
KBG0603*801T	800	0.50	100
KBG0603*102T	1000	0.60	100
KBG0603*122T	1200	0.08	100
KBG0603*152T	1500	0.90	50
KBG0603*202T	2000	1.20	50

* Insert Material Code (* 处插入材料代码); Impedance Tolerance above all are $\pm 25\%$ except the specification (以上产品的阻抗误差均为 $\pm 25\%$, 除特殊说明外).

0805 Type

Part No.	At 100MHz Impedance (阻抗(Ω))	MAX DC Resistance (直流电阻(\square))	Max Rated Current (额定电流(mA))
KBG0805*070T	7	0.20	600
KBG0805*110T	11	0.20	600
KBG0805*190T	19	0.20	600
KBG0805*260T	26	0.20	400
KBG0805*310T	31	0.20	400
KBG0805*360T	36	0.20	400
KBG0805*600T	60	0.25	400
KBG0805*700T	70	0.25	400
KBG0805*800T	80	0.25	400
KBG0805*101T	100	0.25	400
KBG0805*121T	120	0.25	300
KBG0805*151T	150	0.25	300
KBG0805*221T	220	0.25	300
KBG0805*301T	300	0.25	300
KBG0805*501T	500	0.35	200
KBG0805*601T	600	0.40	200
KBG0805*801T	800	0.40	150
KBG0805*102T	1000	0.45	100
KBG0805*122T	1200	0.60	100
KBG0805*152T	1500	0.80	100
KBG0805*202T	2000	0.90	50
KBG0805*222T	2200	1.00	50
KBG0805*252T	2500	1.20	50
KBG0805*302T	3000	1.40	50

* Insert Material Code (* 处插入材料代码); Impedance Tolerance above all are $\pm 25\%$ except the specification (以上产品的阻抗误差均为 $\pm 25\%$,除特殊说明外).

1206 Type

Part No.	At 100MHz Impedance (阻抗(Ω))	MAX DC Resistance (直流电阻(Ω))	Max Rated Current (额定电流(mA))
KBG1206*190T	19	0.20	500
KBG1206*260T	26	0.20	500
KBG1206*310T	31	0.20	500
KBG1206*600T	60	0.30	400
KBG1206*700T	70	0.30	400
KBG1206*800T	80	0.30	300
KBG1206*101T	100	0.30	300
KBG1206*121T	120	0.30	300
KBG1206*151T	150	0.30	300
KBG1206*221T	220	0.30	300
KBG1206*301T	300	0.30	300
KBG1206*501T	500	0.30	200
KBG1206*601T	600	0.30	200
KBG1206*801T	800	0.30	200
KBG1206*102T	1000	0.30	200
KBG1206*122T	1200	0.50	100
KBG1206*202T	2000	0.60	100
KBG1206*252T	2500	0.80	100
KBG1206*302T	3000	1.00	80

* Insert Material Code (* 处插入材料代码); Impedance Tolerance above all are $\pm 25\%$ except the specification (以上产品的阻抗误差均为 $\pm 25\%$, 除特殊说明外).

1210 Type

Part No.	At 100MHz Impedance (阻抗(Ω))	MAX DC Resistance (直流电阻(Ω))	Max Rated Current (额定电流(mA))
KBG1210*190T	19	0.20	500
KBG1210*260T	26	0.20	500
KBG1210*310T	31	0.20	500
KBG1210*600T	60	0.30	400
KBG1210*700T	70	0.30	400
KBG1210*800T	80	0.30	300
KBG1210*101T	100	0.30	300
KBG1210*121T	120	0.30	300
KBG1210*151T	150	0.30	300
KBG1210*301T	300	0.30	300
KBG1210*501T	500	0.30	200
KBG1210*601T	600	0.30	200
KBG1210*801T	800	0.30	200
KBG1210*102T	1000	0.30	200
KBG1210*122T	1200	0.50	100
KBG1210*202T	2000	0.60	100

* Insert Material Code (* 处插入材料代码); Impedance Tolerance above all are $\pm 25\%$ except the specification (以上产品的阻抗误差均为 $\pm 25\%$, 除特殊说明外).

● KBW (大电流磁珠)

Part No.	At 100MHz Impedance (阻抗(Ω))	MAX DC Resistance (直流电阻(Ω))	Max Rated Current (额定电流(mA))
KBW0603*300T	30	0.06	1.0
KBW0603*600T	60	0.10	1.0
KBW0805*070T	7	0.03	3.0
KBW0805*110T	11	0.025	3.0
KBW0805*300T	30	0.025	3.0
KBW0805*600T	60	0.025	3.0
KBW0805*800T	80	0.025	3.0
KBW0805*121T	120	0.10	2.0
KBW1206*190T	19	0.04	3.0
KBW1206*260T	26	0.04	3.0
KBW1206*310T	31	0.04	3.0
KBW1206*500T	50	0.03	3.0
KBW1206*600T	60	0.03	3.0
KBW1206*700T	70	0.03	3.0
KBW1206*800T	80	0.03	3.0
KBW1206*121T	120	0.02	3.0
KBW1210*190T	19	0.04	5.0
KBW1210*260T	26	0.04	5.0
KBW1210*310T	31	0.04	5.0
KBW1210*600T	60	0.03	4.0
KBW1210*700T	70	0.03	4.0
KBW1210*800T	80	0.03	3.0
KBW1210*900T	90	0.03	3.0
KBW1210*121T	120	0.04	3.0
KBW1210*151T	150	0.04	3.0
KBW1210*301T	300	0.05	3.0
KBW1210*501T	500	0.05	2.0
KBW1210*601T	600	0.06	2.0
KBW1210*801T	800	0.06	2.0
KBW1210*102T	1000	0.06	2.0
KBW1806*800T	80	0.045	3.0
KBW1806*121T	120	0.08	2.0
KBW1806*151T	150	0.10	2.0
KBW1812*700T	70	0.015	6.0
KBW1812*121T	120	0.04	5.0
KBW1812*151T	150	0.06	5.0

* Insert Material Code (* 处插入材料代码); Impedance Tolerance above all are $\pm 25\%$ except the specification (以上产品的阻抗误差均为 $\pm 25\%$,除特殊说明外).

● KBY (尖峰型磁珠)

0402 Type

Part No.	At 100MHz Impedance (阻抗(Ω))	MAX DC Resistance (直流电阻(\square))	Max Rated Current (额定电流(mA))
KBY0402*050T	5	0.045	500
KBY0402*070T	7	0.045	500
KBY0402*110T	11	0.05	500
KBY0402*190T	19	0.05	300
KBY0402*310T	31	0.20	300
KBY0402*600T	60	0.35	200
KBY0402*800T	80	0.40	200
KBY0402*121T	120	0.50	150
KBY0402*151T	150	0.55	150
KBY0402*181T	180	0.60	150
KBY0402*221T	220	0.70	150
KBY0402*301T	300	0.80	100
KBY0402*501T	500	1.10	100
KBY0402*601T	600	1.30	100
KBY0402*801T	800	1.40	50

0603 Type

Part No.	At 100MHz Impedance (阻抗(Ω))	MAX DC Resistance (直流电阻(\square))	Max Rated Current (额定电流(mA))
KBY0603*050T	5	0.20	600
KBY0603*090T	9	0.20	500
KBY0603*110T	11	0.20	500
KBY0603*190T	19	0.20	500
KBY0603*310T	31	0.30	400
KBY0603*600T	60	0.30	300
KBY0603*800T	80	0.30	300
KBY0603*121T	120	0.30	200
KBY0603*151T	150	0.30	200
KBY0603*221T	220	0.30	200
KBY0603*301T	300	0.35	150
KBY0603*501T	500	0.40	150
KBY0603*601T	600	0.45	100
KBY0603*801T	800	0.50	100
KBY0603*102T	1000	0.60	100
KBY0603*122T	1200	0.90	100

* Insert Material Code (* 处插入材料代码); Impedance Tolerance above all are $\pm 25\%$ except the specification (以上产品的阻抗误差均为 $\pm 25\%$,除特殊说明外).

0805 Type

Part No.	At 100MHz Impedance (阻抗(Ω))	MAX DC Resistance (直流电阻(\square))	Max Rated Current (额定电流(mA))
KBY0805*070T	7	0.20	600
KBY0805*110T	11	0.20	600
KBY0805*190T	19	0.20	600
KBY0805*260T	26	0.20	400
KBY0805*310T	31	0.20	400
KBY0805*700T	70	0.25	400
KBY0805*800T	80	0.25	400
KBY0805*121T	120	0.25	300
KBY0805*221T	220	0.25	300
KBY0805*301T	300	0.25	200
KBY0805*501T	500	0.35	200
KBY0805*601T	600	0.40	200
KBY0805*801T	800	0.40	150
KBY0805*102T	1000	0.45	100
KBY0805*122T	1200	0.60	100

1206 Type

Part No.	At 100MHz Impedance (阻抗(Ω))	MAX DC Resistance (直流电阻(\square))	Max Rated Current (额定电流(mA))
KBY1206*190T	19	0.20	500
KBY1206*260T	26	0.20	500
KBY1206*310T	31	0.20	500
KBY1206*600T	60	0.20	400
KBY1206*700T	70	0.30	400
KBY1206*800T	80	0.30	300
KBY1206*900T	90	0.30	300
KBY1206*121T	120	0.30	300
KBY1206*151T	150	0.30	300
KBY1206*221T	220	0.30	300
KBY1206*301T	300	0.30	300
KBY1206*501T	500	0.30	200
KBY1206*601T	600	0.30	200
KBY1206*801T	800	0.30	200
KBY1206*102T	1000	0.30	200
KBY1206*122T	1200	0.50	100
KBY1206*202T	2000	0.60	100

* Insert Material Code (* 处插入材料代码); Impedance Tolerance above all are $\pm 25\%$ except the specification (以上产品的阻抗误差均为 $\pm 25\%$,除特殊说明外).

● KBH (低频高阻型磁珠)

0402 Type

Part No.	At 100MHz Impedance (阻抗(Ω))	MAX DC Resistance (直流电阻(Ω))	Max Rated Current (额定电流(mA))
KBH0402*050T	5	0.045	500
KBH0402*070T	7	0.045	500
KBH0402*110T	11	0.05	500
KBH0402*190T	19	0.05	300
KBH0402*310T	31	0.20	300
KBH0402*600T	60	0.35	200
KBH0402*800T	80	0.40	200
KBH0402*121T	120	0.50	150
KBH0402*151T	150	0.55	150
KBH0402*181T	180	0.60	150
KBH0402*221T	220	0.70	100
KBH0402*301T	300	0.80	100
KBH0402*501T	500	1.10	100
KBH0402*601T	600	1.30	100
KBH0402*801T	800	1.40	50

0603 Type

Part No.	At 100MHz Impedance (阻抗(Ω))	MAX DC Resistance (直流电阻(Ω))	Max Rated Current (额定电流(mA))
KBH0603*050T	5	0.20	600
KBH0603*090T	9	0.20	500
KBH0603*110T	11	0.20	500
KBH0603*190T	19	0.20	500
KBH0603*310T	31	0.30	400
KBH0603*600T	60	0.30	300
KBH0603*800T	80	0.30	300
KBH0603*121T	120	0.30	200
KBH0603*151T	150	0.30	200
KBH0603*221T	220	0.30	200
KBH0603*301T	300	0.35	150
KBH0603*501T	500	0.40	150
KBH0603*601T	600	0.45	100
KBH0603*801T	800	0.50	100
KBH0603*102T	1000	0.60	100
KBH0603*122T	1200	0.80	100

* Insert Material Code (* 处插入材料代码); Impedance Tolerance above all are $\pm 25\%$ except the specification (以上产品的阻抗误差均为 $\pm 25\%$,除特殊说明外).

0805 Type

Part No.	At 100MHz Impedance (阻抗(Ω))	MAX DC Resistance (直流电阻(Ω))	Max Rated Current (额定电流(mA))
KBH0805*070T	7	0.20	600
KBH0805*110T	11	0.20	600
KBH0805*190T	19	0.20	600
KBH0805*260T	26	0.20	400
KBH0805*310T	31	0.20	400
KBH0805*700T	70	0.25	400
KBH0805*800T	80	0.25	400
KBH0805*121T	120	0.25	300
KBH0805*151T	150	0.25	300
KBH0805*221T	220	0.25	300
KBH0805*301T	300	0.25	300
KBH0805*501T	500	0.35	200
KBH0805*601T	600	0.40	200
KBH0805*801T	800	0.40	150
KBH0805*102T	1000	0.45	100
KBH0805*122T	1200	0.60	100

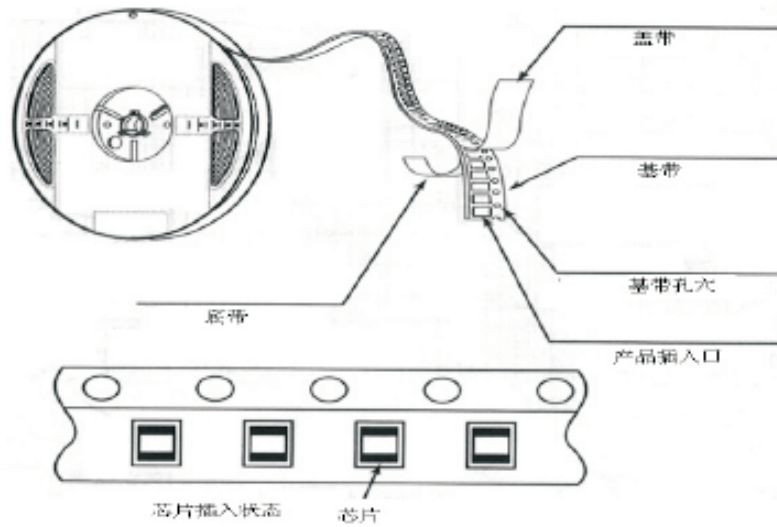
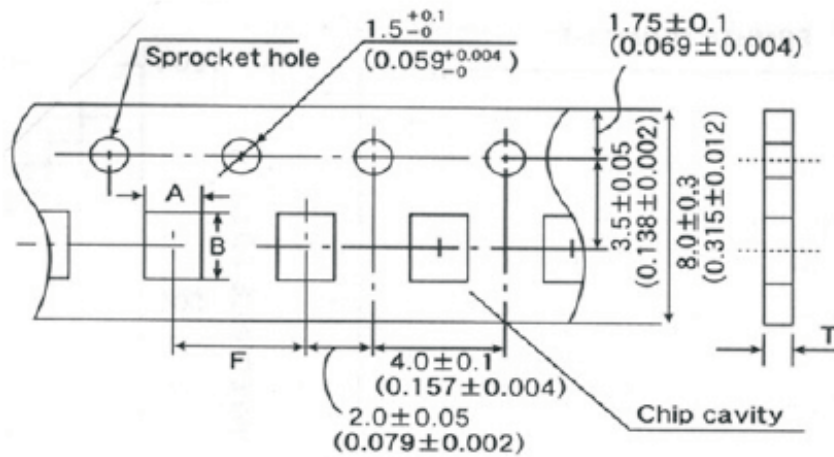
1206 Type

Part No.	At 100MHz Impedance (阻抗(Ω))	MAX DC Resistance (直流电阻(Ω))	Max Rated Current (额定电流(mA))
KBH1206*190T	19	0.20	500
KBH1206*260T	26	0.20	500
KBH1206*310T	31	0.20	500
KBH1206*600T	60	0.30	400
KBH1206*700T	70	0.30	400
KBH1206*800T	80	0.30	300
KBH1206*900T	90	0.30	300
KBH1206*121T	120	0.30	300
KBH1206*151T	150	0.30	300
KBH1206*221T	220	0.30	300
KBH1206*301T	300	0.30	300
KBH1206*501T	500	0.30	200
KBH1206*601T	600	0.30	200
KBH1206*801T	800	0.30	200
KBH1206*102T	1000	0.30	200
KBH1206*122T	1200	0.50	100
KBH1206*202T	2000	0.60	100

* Insert Material Code (* 处插入材料代码); Impedance Tolerance above all are $\pm 25\%$ except the specification (以上产品的阻抗误差均为 $\pm 25\%$,除特殊说明外).

■ PACKAGING (包装)

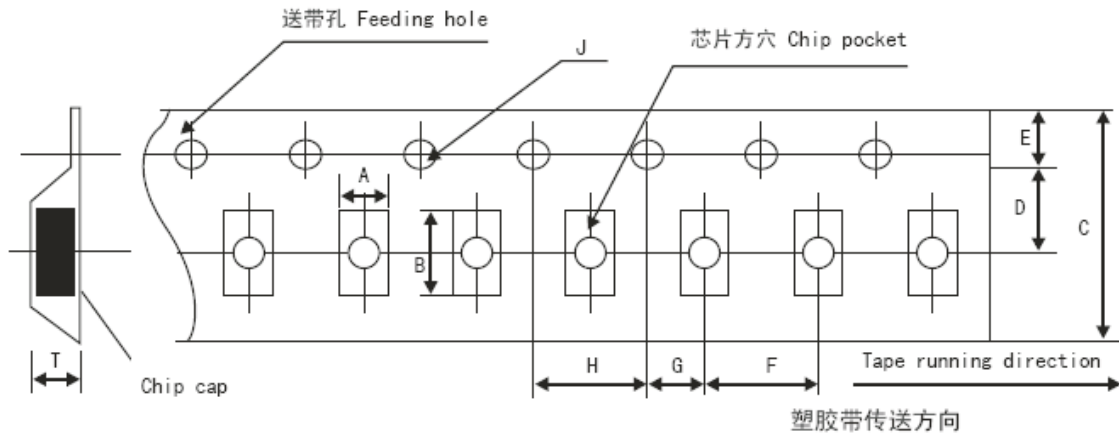
- PAPER TAPING (纸带)



Unit: mm

Size	A	B	F	T
0402	0.65 ± 0.1	1.15 ± 0.1	2.0 ± 0.05	0.8max
0603	1.0 ± 0.2	1.8 ± 0.2	4.0 ± 0.1	1.1max
0805	1.5 ± 0.2	2.3 ± 0.2	4.0 ± 0.1	1.1max

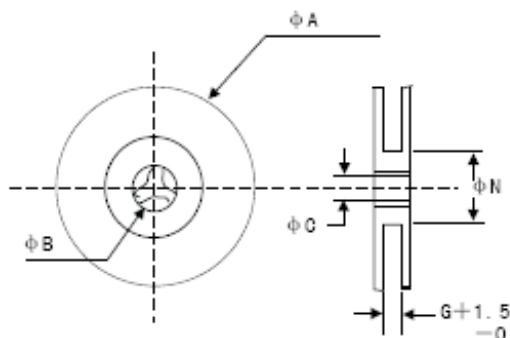
- EMBOSED TAPING (胶带)



Code (代码)	A	B	C	D	E	F	G	H	J	T
0805	1.55 ± 0.20	2.35 ± 0.20	8.00 ± 0.20	3.50 ± 0.05	1.75 ± 0.10	4.00 ± 0.10	2.00 ± 0.10	4.00 ± 0.10	1.55 ± 0.05	1.50 Below
1206	1.95 ± 0.20	3.60 ± 0.20	8.00 ± 0.20	3.50 ± 0.05	1.75 ± 0.10	4.00 ± 0.10	2.00 ± 0.10	4.00 ± 0.10	1.55 ± 0.05	1.50 Below
1210	2.70 ± 0.10	3.42 ± 0.10	8.00 ± 0.10	3.50 ± 0.05	1.75 ± 0.10	4.00 ± 0.10	2.00 ± 0.05	4.00 ± 0.10	1.60 ± 0.05	1.55 ± 0.10
1808	2.20 ± 0.10	4.95 ± 0.10	12.00 ± 0.10	5.50 ± 0.05	1.75 ± 0.10	4.00 ± 0.10	2.00 ± 0.05	4.00 ± 0.10	1.55 ± 0.05	1.80 ± 0.10
1812	3.66 ± 0.10	4.95 ± 0.10	12.00 ± 0.10	5.50 ± 0.05	1.75 ± 0.10	8.00 ± 0.10	2.00 ± 0.05	4.00 ± 0.10	1.60 ± 0.05	1.85 ± 0.10

● REEL DIMENSION (卷盘尺寸)

Unit: mm (单位: mm)



□A	□B	□C	□N	G
178 ± 2.0	22.0 ± 2.0	12.5 ± 1.5	67 ± 2.0	8

● PACKING QUANTITY (包装数量)

Size (尺寸)	Package Style & Quantity (包装形式和数量) Unit: pcs		
	PT (纸带卷盘)	ET (胶带卷盘)	BP (塑料袋散装)
0402	10,000		5,000
0603	4,000		5,000
0805	4,000	3,000/4,000	5,000
1206		2,000	5,000
1210		2,000	2,000
1808		2,000	2,000
1812		500/1,000	2,000